



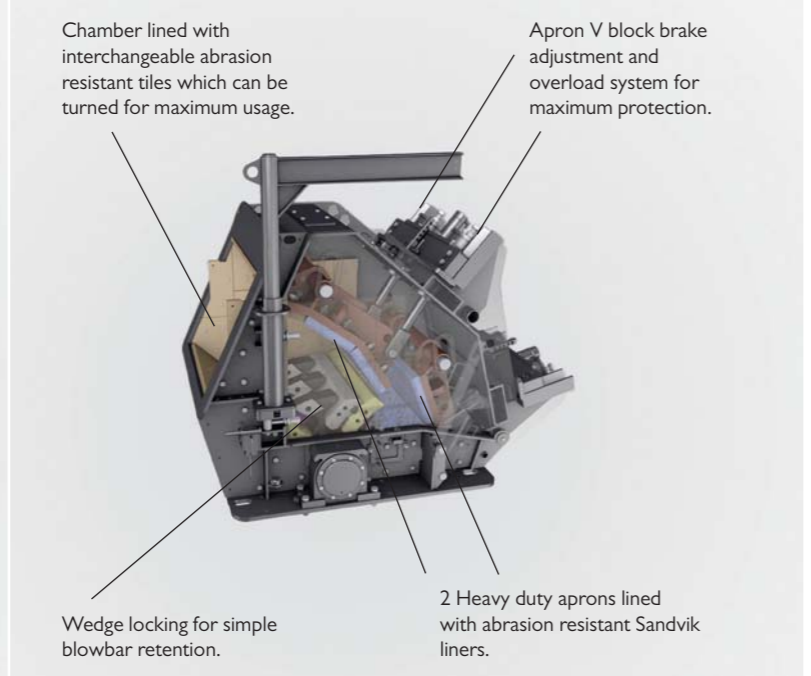
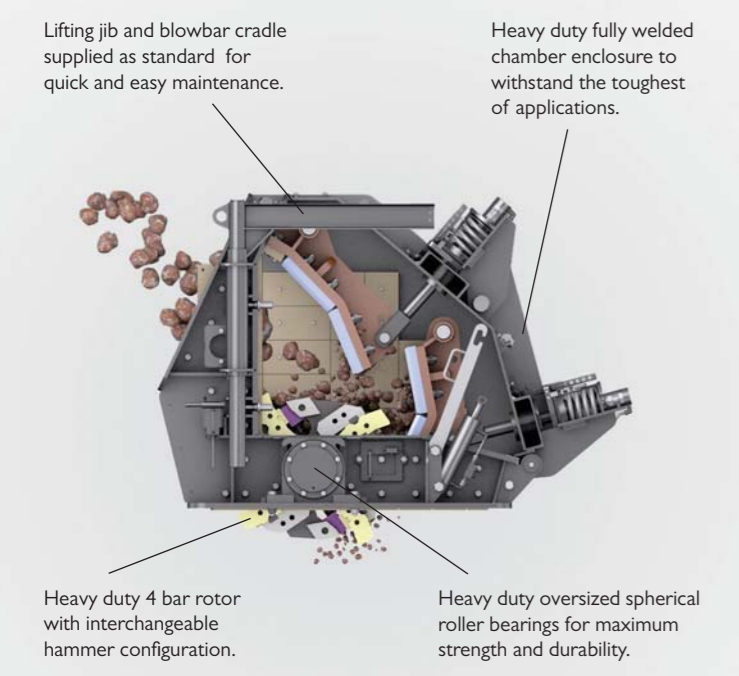
Available with optional hanging screen system



Featuring Sandvik's unique CI411 Prisec™ impact chamber (5 patents pending). The Prisec™ concept enables one base crusher to be configured as either a Primary or Secondary chamber whilst maintaining optimum crushing geometry.

Diagram illustrates the curtain pivot shafts in upper position for primary applications.

Diagram illustrates the curtain pivot shafts in lower position for secondary applications.

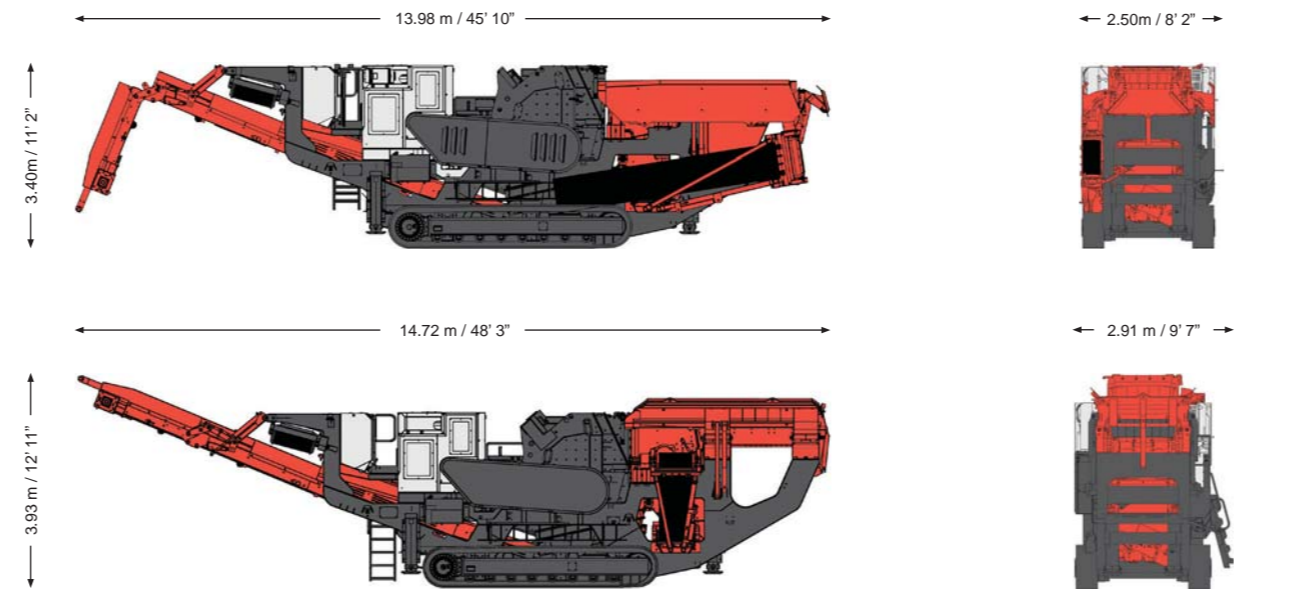


Technical specifications

	QI341
Primary Feeder	
Wear resistant lined feeder	910 mm x 2330 mm / 3' x 7' 8"
Pre screen	
Type	2 bearing, high amplitude screen 2 screening decks
Top deck size	1520 mm x 980 mm / 5' 0" x 3' 2 1/2"
Bottom deck mesh size	1020 mm x 980 mm / 3' 4" x 3' 2 1/2"
Pre screen top deck media	40 mm / 1 1/2" punch plate
Pre screen bottom deck media	20 mm / 3/4" mesh
Underpan feeder size	830 mm x 2040 mm / 32 1/2" x 6' 8"
Impactor	
Sandvik CI411 Prisec™ impactor	
Feed opening	992 mm x 670 mm / 39" x 26 1/2"
Hydraulic inlet opening	992 mm x 830 mm / 39" x 32 1/2"

	QI341
4 Bar rotor	1005 mm / 39 1/2"
Rotor speed (variable)	573 - 707 rpm
Tip speed (variable)	30 - 37 m/s / 98 - 121 ft/s
2 aprons	Hydraulic assist
Max feed size	650 mm / 25 1/2"
Power pack	
Engine	Stage 3A / Tier 3 CAT C9 Acert or Stage 3B / Tier 4i CAT C9.3 Acert
Engine power	261 kW / 350 Hp
Speed	1700 rpm to 2100 rpm
Diesel tank size	660 litres / 174USG
Hydraulic tank size	660 litres / 174USG

Note. All weights and dimensions are for standard units only



Standard weight 36,520 kg / 80,513 lbs



SANDVIK CONSTRUCTION MOBILE CRUSHERS AND SCREENS LTD
 HEARTH COTE ROAD, SWADLINCOTE, DERBYSHIRE, DE11 9DU, ENGLAND
 T: +44 (0) 1283 212121 F: +44 (0) 1283 818210 info.mobilecs@sandvik.com www.sandvikmobiles.com

QI341 Prisec™ Mobile Impact Crusher

E-motion

A world leading mobile impact crusher



The material in this brochure is of general application for information and guidance only, and no representation or warranty is made or given by the manufacturer that its products will be suitable for a customer's particular purpose and enquiry should always be made of the manufacturer to ensure such suitability. Whilst every effort has been made in the preparation of this document to ensure its accuracy, the manufacturer assumes no liability resulting from errors or omissions in this document, or from the use or interpretation of the information contained herein. The manufacturer reserves the right to make changes to the information in this brochure and the product design without reservation and without notification to users.

BB-327 ENG rev 1 © Sandvik Construction 2013 SANDVIK is a registered trademark owned by Sandvik Intellectual Property AB in Sweden and other countries



QI341 Prisec™ Mobile Impact Crusher

Engineering in motion

KEY SPECIFICATIONS

EQUIPMENT	Sandvik CI411 Prisec™ impactor
FEED OPENING	992 x 670 mm / 39" x 26 1/2"
OPTIMUM FEED SIZE	500 mm / 20"
ENGINE	C9 / C9.3 Acert 261 kW / 350 hp
TRANSPORT DIMENSIONS	13.98m / 45' 10" (l) 2.50m / 8' 2" (w) 3.40m / 11' 2" (h)
WEIGHT	36,520 kg / 80,513 lbs
WEIGHT (WITH HS)	43,298 kg / 95,456 lbs

COMPACT IMPACT CRUSHING

The QI341 has been built utilising market leading Sandvik Impactor technology which has enabled the development of a fully mobile, compact impact crusher.

It features the Sandvik CI411 Prisec™ impact crusher, which has been designed to work either in a primary or secondary capacity. It can operate either independently or in conjunction with other members of the Sandvik product line in recycling or construction applications.

The compact dimensions of the QI341 make it perfect for sites where space is limited, but where superb product shape and high levels of production are required.

FEATURES INCLUDE:

- Excellent reduction ratio across a broad spectrum
- Emissions compliant 261 kW / 350 hp engine for powerful cost efficient performance
- Overband magnet, pre screen and underpan feeder fitted as standard
- Choice of pre screen media which provides the flexibility to suit any application
- 50°C ambient temperature capability without the need for an oil change
- Direct drive through hydraulic wet clutch
- Designed for optimum fuel economy and low operating costs.

Cooling fan

- Hydraulically driven cooling fan with auto reverse to back flush dust from radiator

Power Pack

- 261 kW / 350 Hp emissions compliant engine
- Direct drive through hydraulic wet clutch
- Easy access to engine compartment for service and maintenance
- Ground level drainage points (oil/diesel/cooling/engine oil)
- Large capacity 660 litre / 174 US Gal diesel tank

Impactor box

- Sandvik CI411 - Patented design to work in either a primary or secondary application
- Feed opening 992 x 670 mm / 39 x 26 1/2"
- 4 blow bar rotor - 1005mm / 39 1/4" diameter
- Ceramic blow bars fitted as standard
- Variable speed of 573 – 707 rpm
- Tip speed range of 30 to 37 m/s / 98 to 121 ft/s to achieve a wide range of product gradations
- Inlet opening can be raised to clear blockages from the radio remote

Hopper

- Reinforced hopper with hydraulically folding doors
- Extensions available (optional)

Feeder

- Large capacity spring mounted vibrating feeder
- Wear resistant liner plates fitted as standard
- Engine load monitoring regulates the feeder speed to reduce blockages and wear
- Fitted with a pre-screen to ensure maximum scalping capability to increase throughput and reduce wear cost

Main Conveyor

- 1000 mm / 39 1/2" wide conveyor with a discharge height of 3762 mm / 12'4"
- Hydraulic raise / lower facility to give increased clearance for rebar discharge in recycling applications
- Overband magnet removes rebar for recycling and demolition applications
- Dust suppression complete with canvas covers fitted as standard
- Highly efficient belt scraper

Control system

- New hydraulic and electric system for greater efficiency provides ultimate control
- User friendly PLC control system with colour screen for full automated control

Chassis

- Heavy duty fabricated chassis on tracked frame
- Hydraulic legs for increased stability and servicing capabilities (optional)

Tracks

- 500 mm / 20" wide tracks driven by umbilical control / radio remote (optional)

Underpan Feeder

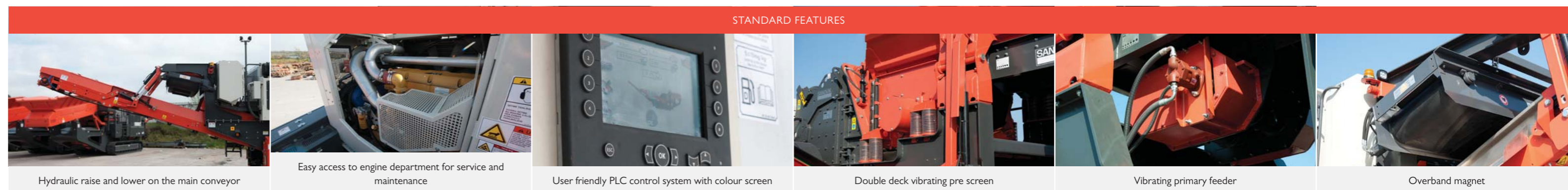
- Fitted as standard for maximum belt protection and to reduce spillage

Steel pipework

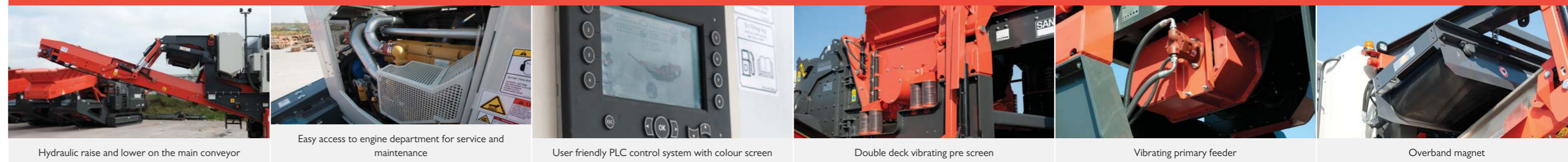
- Provides a safe and maintenance-free sealing solution, combined with better heat dissipation

Natural fines conveyor (optional)

- Fitted for removal of fines
- Belt width 650 mm / 25 1/2"
- Discharge height 2624 mm / 8' 7"
- Speed monitored to avoid blockages in the by pass chute



STANDARD FEATURES



Hydraulic raise and lower on the main conveyor

Easy access to engine department for service and maintenance

User friendly PLC control system with colour screen

Double deck vibrating pre screen

Vibrating primary feeder

Overband magnet

Suitable for a wide variety of applications.



Recycling application



Demolition application



Quarrying application