

FOURWHEEL DRIVE DUMPER

CAPACITY:

Max Safe Load	4000kg
Heaped	2220L
Struck	1650L
Water	1370L

ENGINE:

Make	Kubota
Model	V2203-M-E2B-EU-X3
Type	4 stroke compression ignition
Displacement	2197cc
No Cylinders	4 in line
Max power	35 KW @ 2600 rpm
Max Torque	146Nm @ 1700 rpm
Fuel	Diesel

TRANSMISSION:

Hydrostatic through drive system
2 speed forward and reverse
Permanent 4 wheel drive

DRIVE CHARACTERISTICS:

Forward / Reverse	1st	0-13 km/h (0-8mph)
	2nd	0-20 km/h (0-12.5mph)
Steering angle:	+/- 33°	
Turning Circle:	8.9m	
Grade-ability:	50%	
Tyres:	12.0/75-18 (traction profile)	
Steering:	Priority load sensing hydrostatic centre pivot	
Working brakes:	Multi-plate oil immersed discs mounted on front axle	
Park brake:	Hand operated, locking on a dry disc acting on drive motor	

NOISE LEVELS:

LWA	101 dB (A)
LPA	83 dB (A)

TANK CAPACITIES:

Fuel:	43L
Hydraulic:	43L

SKIP:

Hydraulically operated skip tipping to over 90°
Skip swivels 180° for easy placement when driving along trenches
Automatic safety lock to hold skip in a central position when travelling
Heavy duty fully welded skip with 6mm thick steel base, reinforced
Upper side walls for greater strength
Operated by a multi axis joystick for increased performance

ELECTRICAL INSTALLATION:

Battery Type 096 (12V; 75 Ah, 650 CCA)
Wiring harness in protective sleeving
Reversing alarm

HYDRAULICS:

Hydraulic test points fitted as standard
Easy access to return oil filter on top of tank

SEATING & CONTROLS:

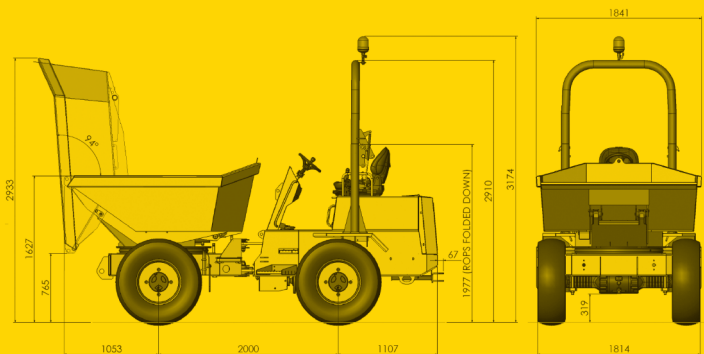
Adjustable suspension seat accessible from both sides
Clear access across dumper via galvanised steps
Extra wide brake pedal
Super bright warning lights on fully featured display instrument
Steel constructed centre console for extra leg protection
Column mounted directional control lever with speed change
Heater vent at foot level
Anti-slip floor
Horn operable from joystick

SERVICE ACCESS:

Easy access for service & maintenance
Lockable hinged engine cover
Battery mounted inside the engine bay

We reserve the right to change the above specifications without prior notice

SW4



FEATURES

- Unrivalled operator accessibility and comfort
- Power swivel skip enabling discharge either side
- Excellent rough terrain performance from permanent 4-wheel drive
- Heavy duty construction
- Column operated forward and reverse directions with acceleration by foot pedal
- Simple and safe operation, drive direction on the steering column
- Heavy duty centre console for leg protection
- Simple instrument panel including fuel gauge, hour meter, warning lights for parking brake, oil temperature, oil pressure, engine temperature
- Folding ROPS as standard
- Easy access to engine compartment for service and maintenance
- Recovery bracket as standard
- 47 HP engine / 35KW
- Excellent power to weight ratio
- Theft deterrent CESAR Datatag system as standard
- Ample ground clearance
- Excellent turning circle
- Skip swivels through 180° for easy placement of load when driving along trenches
- Skip tips over 90°
- Reversing alarm standard
- Handbrake safety device – will not move until released
- Adjustable suspension seat
- Flashing beacon

OPTIONAL EQUIPMENT

- Road Light Kit
- Spare Wheel
- Biodegradable Hydraulic Oil
- FOPS Roof
- Skip Manufactured from ST52 or Hardox
- Cab



NC Engineering (Hamiltonsbawn) Ltd
2 Killyrudden Road, Hamiltonsbawn
Richhill, Co Armagh
Northern Ireland BT61 9SF

Tel: +44 (0) 28 3887 1970

Fax: +44 (0) 28 3887 0362

Email: sales@nc-engineering.com

Web: www.nc-engineering.com